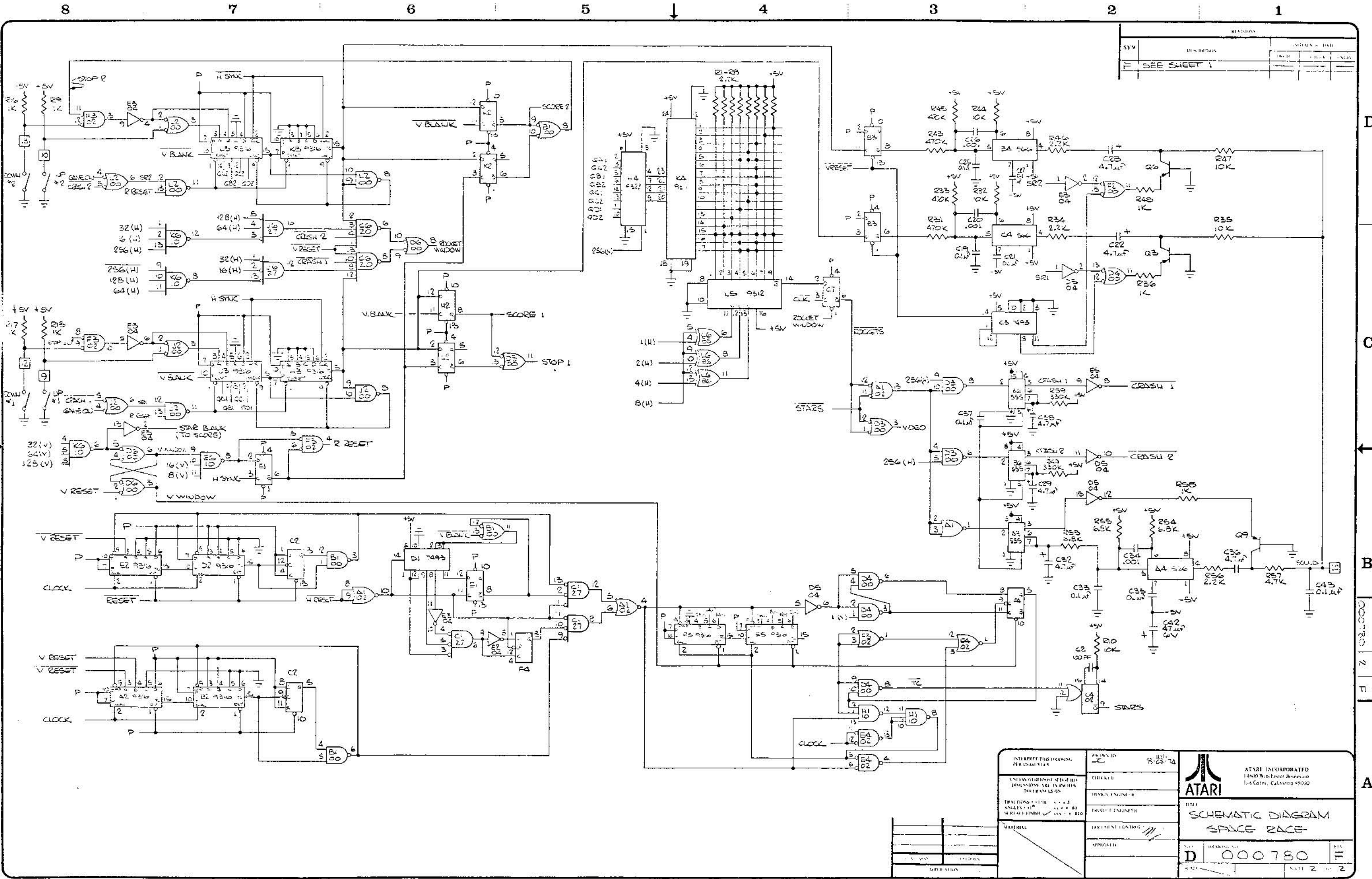


REVISION		DATE		
SYM	DESCRIPTION	DATE	BY	CHKD
F	REDRAWN FOR CLARITY	4/78		

- NOTES: UNLESS OTHERWISE SPECIFIED
1. ALL JK FLIP-FLOPS ARE 74107
 2. ALL D TYPE FLIP-FLOPS ARE 7474
 3. ALL DIODES ARE 1N914
 4. ALL RESISTORS ARE 1/4W CARBON 10%
 5. ALL PNP TRANSISTORS ARE 2N3644 OR EQUIVALENT.
 6. ALL NPN TRANSISTORS ARE 2N3643 OR EQUIVALENT.

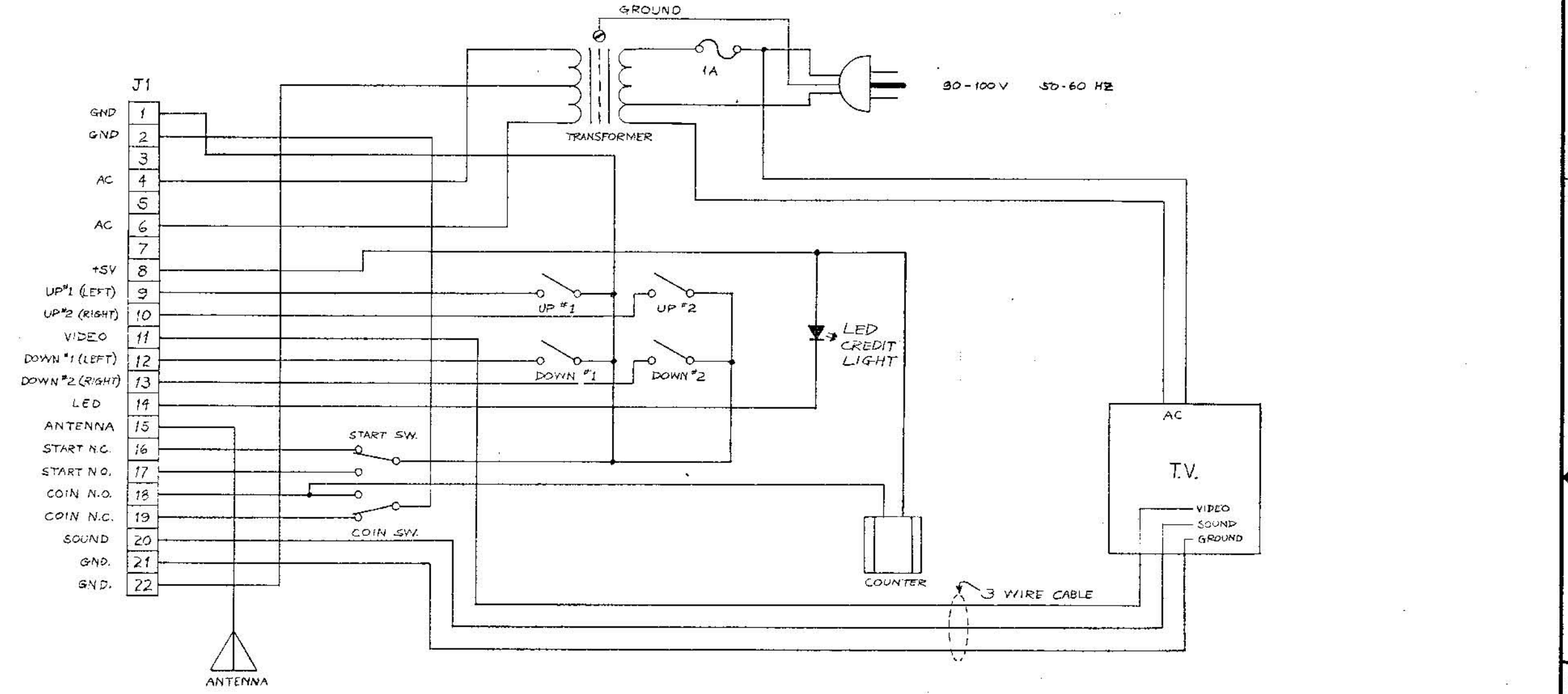
INTERPRET THIS DRAWING PER IEC 60611-1	DRAWN BY SLADE 8/78	 ATARI INCORPORATED 1400 Winchester Boulevard Los Gatos, California 95030	
UNLESS OTHERWISE SPECIFIED DIMENSIONS ARE IN INCHES UNLESS INDICATED OTHERWISE	CHECKED BY 8/78		
FRACTIONS - 1/16, 1/8, 1/4, 3/8, 1/2, 5/8, 3/4, 7/8, 1, 1 1/8, 1 1/4, 1 1/2, 1 3/4, 2, 2 1/4, 2 1/2, 2 3/4, 3, 3 1/4, 3 1/2, 3 3/4, 4, 4 1/4, 4 1/2, 4 3/4, 5, 5 1/4, 5 1/2, 5 3/4, 6, 6 1/4, 6 1/2, 6 3/4, 7, 7 1/4, 7 1/2, 7 3/4, 8, 8 1/4, 8 1/2, 8 3/4, 9, 9 1/4, 9 1/2, 9 3/4, 10, 10 1/4, 10 1/2, 10 3/4, 11, 11 1/4, 11 1/2, 11 3/4, 12, 12 1/4, 12 1/2, 12 3/4, 13, 13 1/4, 13 1/2, 13 3/4, 14, 14 1/4, 14 1/2, 14 3/4, 15, 15 1/4, 15 1/2, 15 3/4, 16	DESIGNED BY 8/78	TITLE SCHEMATIC SPACE RACE	
MATERIAL	PRODUCT ENGINEER		
DATE	APPROVED BY 8/78	NO. D	DRAWING NO. 000780
BY		SHEET	2



SYM	DESCRIPTION	QUANTITY	VALUE
F	SEE SHEET 1		

INTERPRET THIS DRAWING PER ENH 1114	DRAWN BY 8-20-74	ATARI INCORPORATED 1400 Wilshire Boulevard Los Angeles, California 90010
	CHECKED DESIGN ENGINEER PROJECT ENGINEER EXHIBIT CONTROL	
UNLESS OTHERWISE SPECIFIED DIMENSIONS ARE IN MILLIMETERS TOLERANCES ARE: FRACTIONS ±.10 DECIMALS ±.01 SURFACE FINISH AS SHOWN	APPROVED DATE	REV D 000780 SHEET 2 OF 2

REVISIONS				
SYM	DESCRIPTION	INITIALS and DATE		
		DRTG	CHECK	ENGRG
A	REL. TO PROD. REDRAWN	5/16/74	<i>LD</i>	
B	REV. PER ECN 517	6/20/74	<i>LD</i>	WWD 6/25



1. ALL SWITCHES SHOWN IN THEIR USUAL POSITIONS
NOTES:

	SPACE SPACE
NEXT ASSY	USED ON
APPLICATION	

INTERPRET THIS DRAWING PER USAS 1145 UNLESS OTHERWISE SPECIFIED DIMENSIONS ARE IN INCHES TOLERANCES ON: FRACTIONS = $\pm 1/16$.X = $\pm .1$ ANGLES = $\pm 1^\circ$.XX = $\pm .03$ SURFACE FINISH \checkmark XXX = $\pm .010$ MATERIAL:	DRAWN BY T. Fowlks 5/16/74	ATARI INCORPORATED 14600 Winchester Boulevard Los Gatos, California 95030	
	CHECKED		DESIGN ENGINEER <i>D. Jones</i>
	PROJECT ENGINEER		DOCUMENT CONTROL <i>MJ</i>
	APPROVED		DATE 6/20/74
TITLE WIRING HARNESS S.R.		SIZE C	
DRAWING NO. 000771		REV B	
SCALE NONE		SHEET 1 OF 1	

DRAWING NO. 000771
 SHEET 1/1
 REV B

A